

5000 Series: Models 5010

Infra-Red Transit Heat Sensor



Model: 5010 in Diecast Aluminium enclosure

Features

Detection of hazards at temperatures below flame point including both embers and buried hot spots.

Air purged system for dusty environments with air pressure monitoring.

Four Channels of Detectors (two detectors per channel) for Maximum reliability.

Multi-Facet lensing provides wide uniform coverage

Single / Coincidence voting output

Timed auto reset / coincidence analyser circuit

Tuned response — solar blind

Voting Logic & Latching options

Alarm & Trip Functions

Fault Monitored, with Test & Reset push buttons

Field Programmable

Local Indicators

Applications

Conveyors

Escalators

Drying Lines

Sorting Machines

Food Processing

Baggage Handling

Production Lines

Warehouse Robots

Waste Recycling Conveyors

The 5000 Series is an early warning infra-red heat sensor, which can trigger at temperatures as low as 100°C, when monitoring materials being transported on conveyor systems, before they have reached the ember or flame condition.

Its unique eight detector enhanced Infra-red monitoring has been created to detect black heat. Black body emissions occur for all material, the sensor is designed to detect a change in these emissions even at relatively low temperatures, when the material moves through its field of view.

Air purging from a mains operated Air Purged Blower (APB) feed is used to maintain a positive air pressure in the sensor enclosure, and ensures the prevention of dust settling on the sensor window. The air supply is monitored by a pressure switch, which on air failure is signalled as a fault status.

The 5020 controller is directly connected to the sensor. A series of user programmable DIL switches allows option selection including detector sensitivity settings, auto/manual reset sequence selection and single / coincidence voting from the four individual internal detection channels for the alarm trip and shutdown outputs.

The sensor air pressure and signal cable connections are fault monitored and fail safe. The controller also incorporates an aux. fault input & common fault output contact.

5000 Series: Models 5010

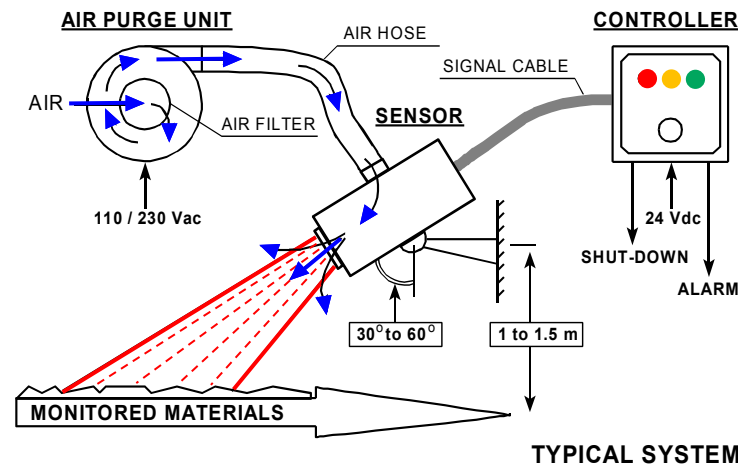
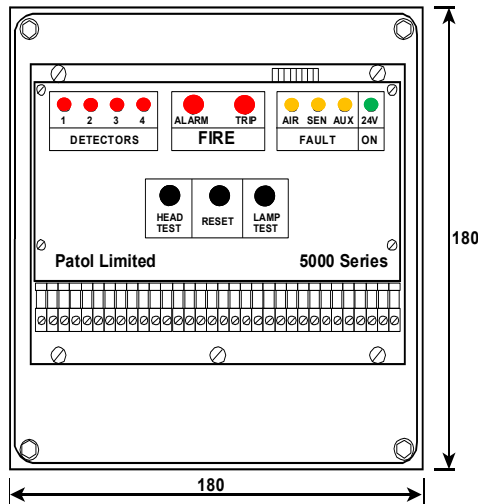
Infra-Red Transit Heat Sensor

5020 Controller

Includes LED indication of the Four detector channels; along with LED indication and relay outputs for Alarm, Trip and Fault.

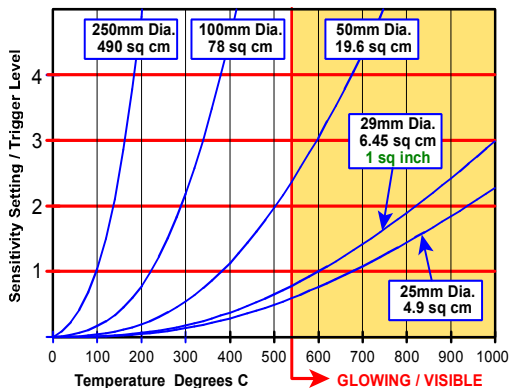
The control module is easily de-mountable and allows installation of the housing and site cables prior to fittment of the module.

The controller can be provided in an optional outer control panel together with power supplies, battery chargers, DIN rail terminals, etc. as required.



The sensor is located above or beside the materials transit path (conveyor, roadway, etc.) by means of the adjustable mounting bracket and aligned such that the monitored hazard passes through the sensor's field of view. The distance and angle of the sensor determine the width of the monitored path.

Typically conveyor widths of 1.6 to 4.2 m can be monitored with a sensor mounted 1.0 to 1.5 m above the conveyor at an angle of 0° to 55° (see separate datasheet).



The chart (left) indicates the correlation between the temperature and size of 'hot spot' anomalies for a typical installation to produce one or more detector channel activations at various trigger level settings.

Exact response is dependant on the emissivity factor of the monitored material, sensor orientation and target speed.

Specification

Detectors: 8 off—Interlaced lensing configured as four channels.

Spectral Filter: 5 — 14 μm (wide band)

Sensitivity: 10 - 40 μW

Transit Speed: 0.5 to 6 m/s

Sensor Head:

5010: Diecast Aluminium 1 kg

Controller: 5020

Polycarbonate 1 kg (IP66)

Supply Voltage: 20 — 30 Vdc

Supply Current: 35 mA Quiescent

70 mA Max / Full Alarm

Temperature: -20°C to +70°C

Outputs:

Alarm Contact - 1 Pole C/O

Trip Contact - 1 Pole C/O

Fault Contact - 1 Pole C/O

Rating - 30 Vdc - 500 mA

Auxiliary Input: PSU / Charger etc.

Purge Air Blower:

Input Fitting: 45mm Hose Adapter

Ordering Information

Description	Part Number
5010, Controller 5020, APB 5040 (230 vac)	710-002
10m Cable, 4m Air Hose, Clips, Mounting Bracket	
5010, Controller 5020, APB 5040 (115 vac)	710-003
10m Cable, 4m Air Hose, Clips, Mounting Bracket	
5010, Controller 5020, 5m Cable, 2m air hose	710-001
and Clips	
Sensor 5010 (without Controller)	710-010
Controller 5020	710-020
5040, APB (Air Purged Blower) 230 vac	710-040
5041, APB (Air Purged Blower) 115 vac	710-041
Specials	Reference Drawing
Single 5020 Control Panel with PSU / Charger, Reset & space for Batteries	11152
Dual 5020 Control Panel with PSU / Charger, Reset & space for Batteries	11153