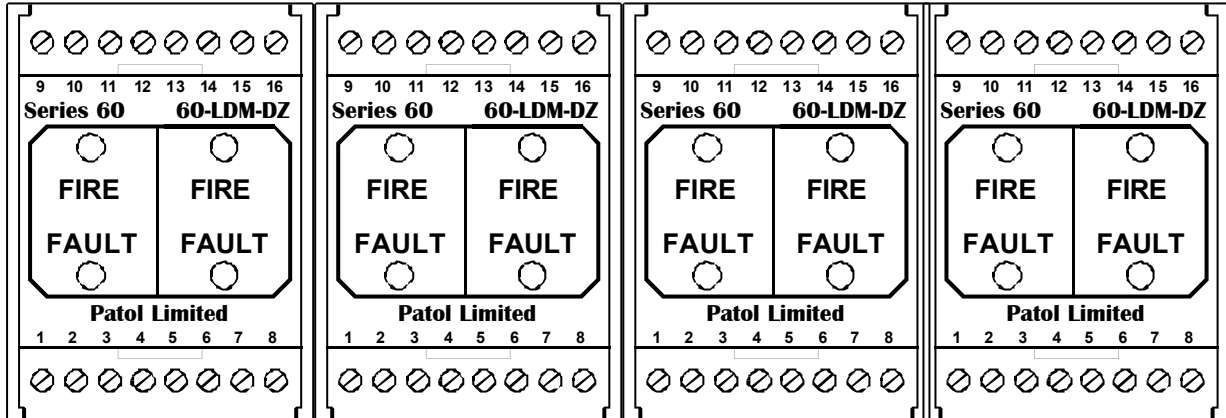


60-LDM-DZ DUAL CHANNEL LHDC MONITORS DIN Rail Mounting Modules - Twin Zone Units



Each module is designed to monitor two lengths of analogue Linear Heat Detecting Cable (LHDC) for elevated temperature states. Each channel provides an adjustable level of alarm. The LHDC is also monitored for fault conditions (open & short circuit).

The DIN rail mounting module is intended for use as a “building block” to be incorporated within custom designed Fire control panels.

The primary features of the modules are:-

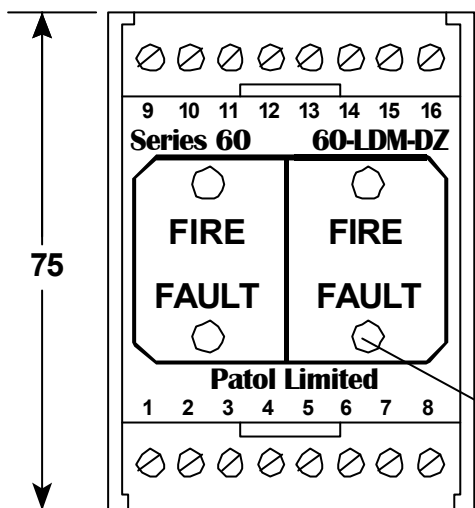
- .. Two channels of Linear Heat Detecting Cable fire & fault monitoring.
- .. Adjustable levels of alarm set point .
- .. Supply operation commensurate with industry standard panels. (24 Vdc)
- .. LED indication of Fire & Fault status.
- .. Latching operation on Fire condition.
- .. System Test, Module LED Test, & Reset signal / push-button inputs.
- .. Two Fire and one Fault signal outputs per channel.
- .. Maintenance test meter jacks for LHDC analogue output, and Alarm set point. - Per channel.
- .. Module readily installed in control panel enclosures. DIN rail mounting.
- .. Common (Bus) Fault signal output.

General Arrangement :- See page 2 following - Drawing 11017

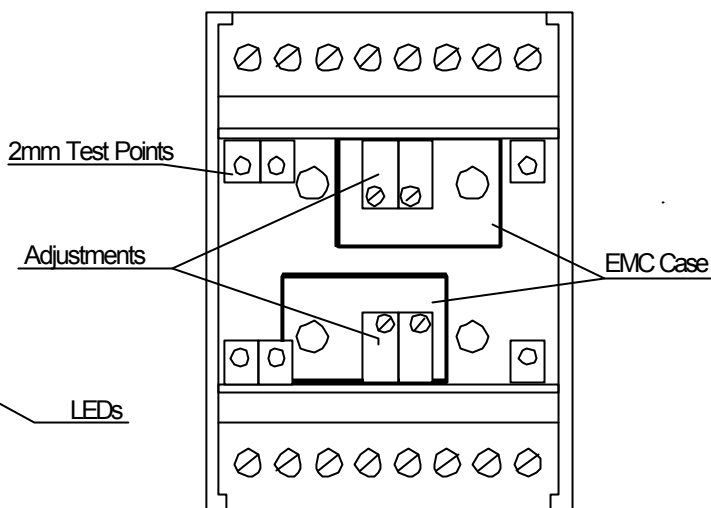
Connection Diagram :- See page 3 following - Drawing 11018

Patol Limited

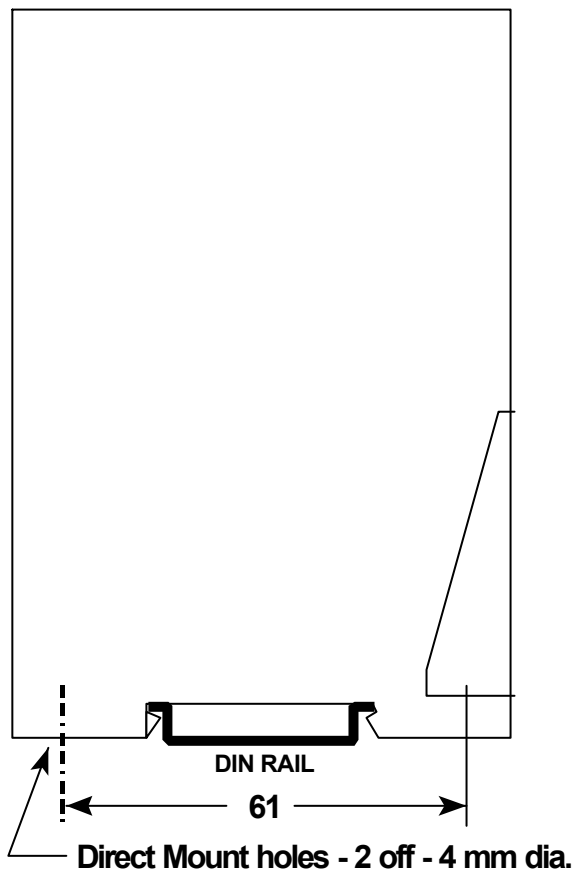
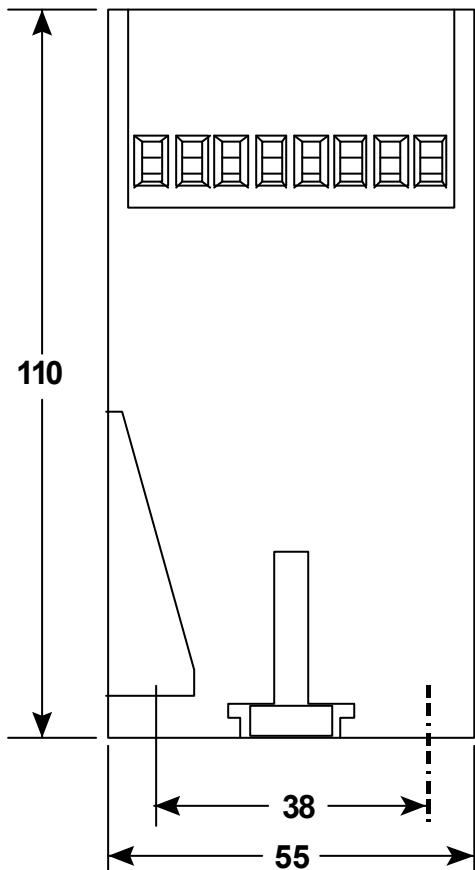
Rectory Road, Padworth Common, Berkshire, United Kingdom.
Tel: (0118) 9701701 Fax: (0118) 9701700 / 9701300
(0118) 9701900 email : patol@dfel.freereserve.co.uk



FRONT VIEW



**FRONT VIEW
COVER REMOVED**



Patol Limited
 Rectory Road, Padworth,
 Berkshire, UK. RG7 4JD
 Tel: +44 (0) 118 9701701
 Fax: +44 (0) 118 9701300
 Email: info@patol.co.uk

CAD REF: 11017_01.wpg

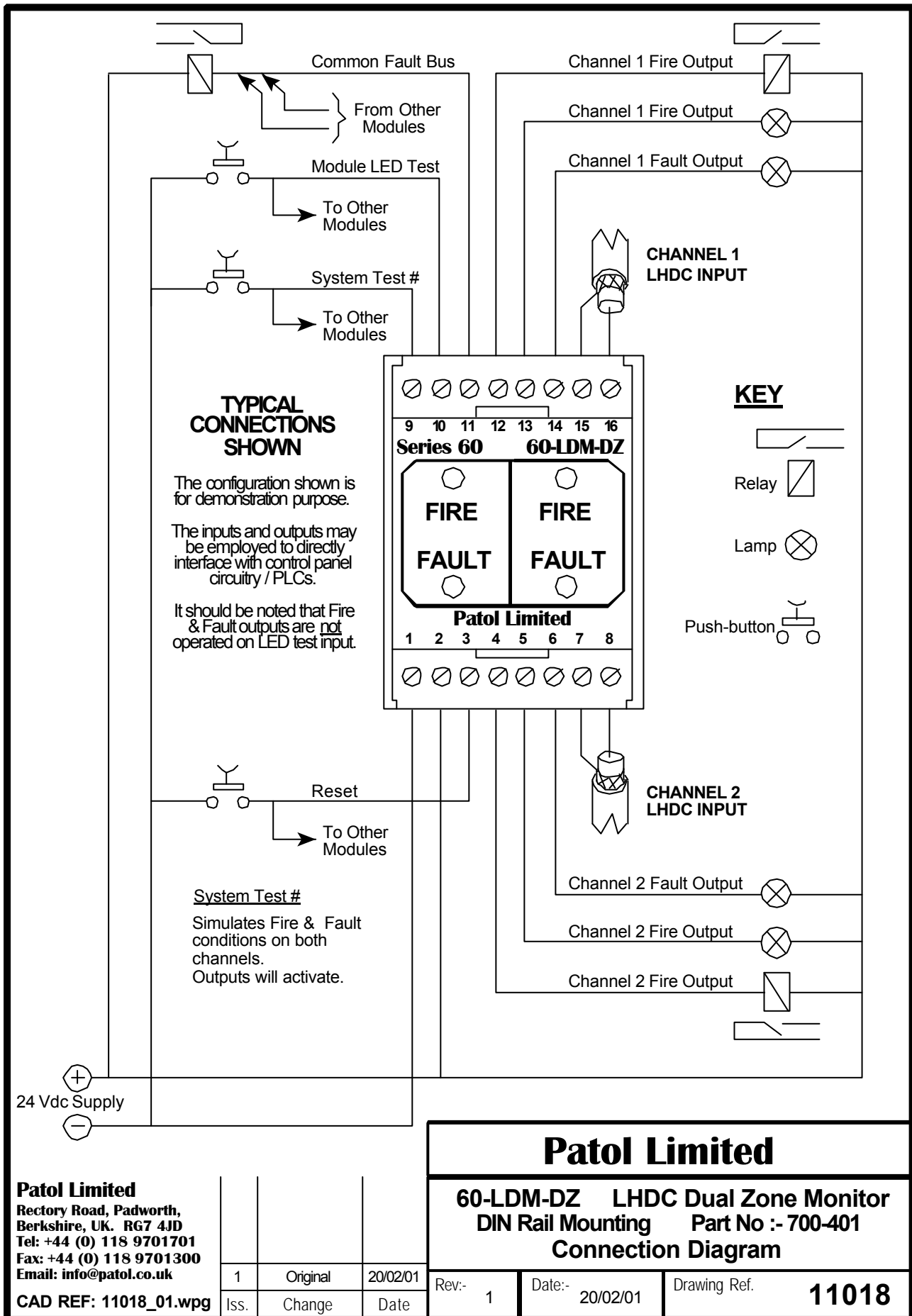
1	Original	03/09/00
Iss.	Change	Date

Patol Limited

**60-LDM-DZ LHDC Dual Zone Monitor
 DIN Rail Mounting Part No :- 700-401
 General Arrangement**

Rev:- 1	Date:- 03/09/00	Drawing Ref. 11017
---------	-----------------	---------------------------

60-LDM-DZ Dual Zone LHDC Module



Patol Limited
Rectory Road, Padworth,
Berkshire, UK. RG7 4JD
Tel: +44 (0) 118 9701701
Fax: +44 (0) 118 9701300
Email: info@patol.co.uk

CAD REF: 11018_01.wpg

1	Original	20/02/01
Iss.	Change	Date

Rev:-	1	Date:-	20/02/01
-------	---	--------	----------

Drawing Ref.	11018
--------------	--------------