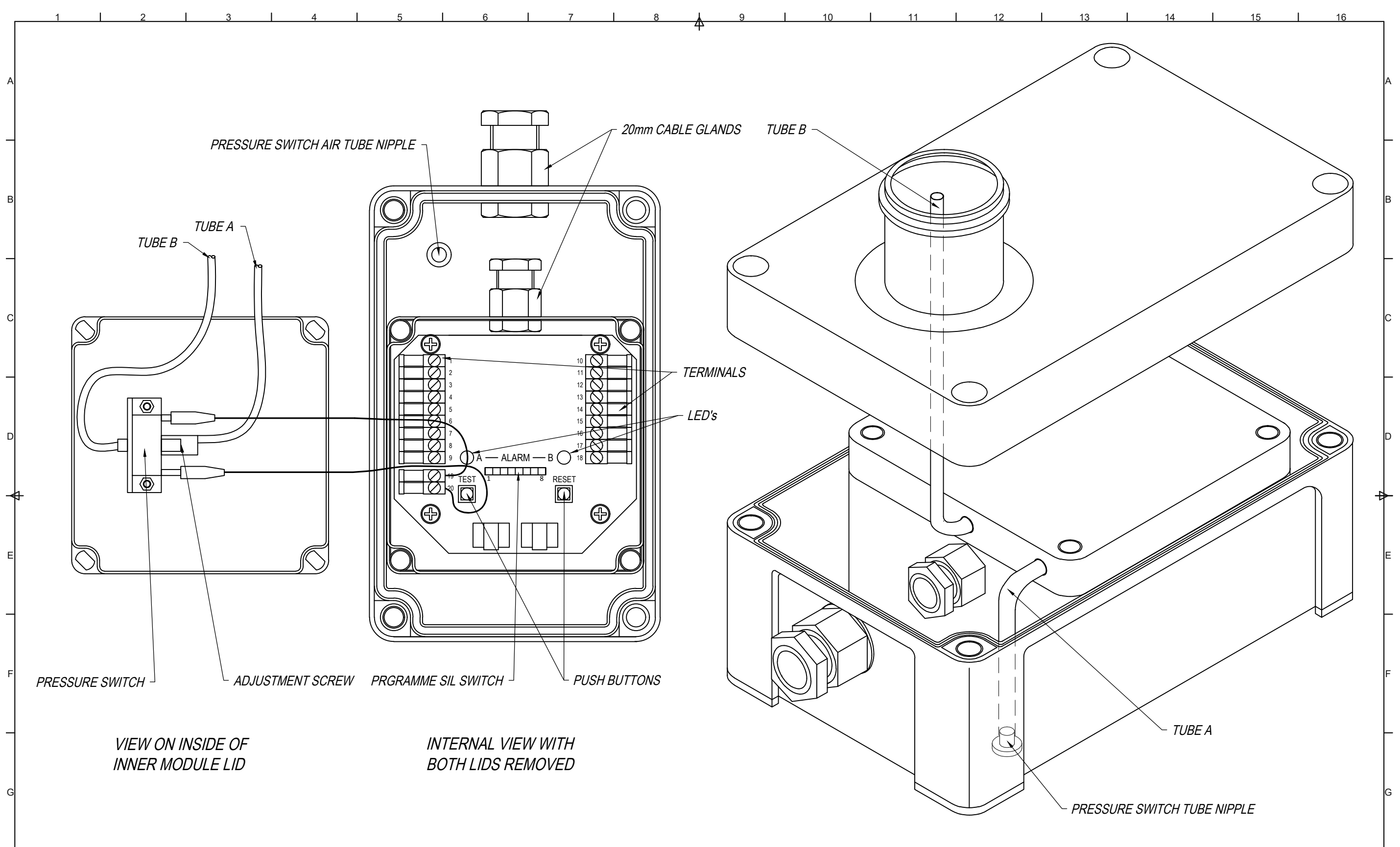


<p>TOLERANCES UNLESS STATED 1 ±0.5 1.0 ±0.2 1.00 ±0.1 ANGLES ±1° ALL DIMENSIONS IN mm DO NOT SCALE THE DRAWING</p>	<p>MATERIAL</p>	<p>FINISH</p>	<p>RELATED DOCUMENTS</p> <p>THIS DWG REPLACES 11053-02.wpg</p>	<p>30/03/17 AS BUILT</p>	<p>14/03/14 DATE</p>	<p>14/03/14 DRAWN SCN</p>	<p>PROJECT INFRA RED TRANSIT HEAT SENSOR</p>	<p>PATOL JOB REF. 5410</p>
				<p>1 FOR APPROVAL</p>	<p>31/03/17 DATE</p>	<p>CHECKED ML</p>	<p>CLIENT</p>	<p>CLIENT CONTRACT REF.</p>
<p>SCALE 1:1</p>	<p>THIS DRAWING AND THE INFORMATION HEREON IS THE SOLE PROPERTY OF PATOL LTD AND MAY BE THE SUBJECT OF PATENT APPLICATIONS</p>			<p>31/03/17 DATE</p>	<p>APPROVED ML</p>	<p>ARCHWAY HOUSE, BATH ROAD, PADWORTH, READING, BERKSHIRE. UK. RG7 5HR TELEPHONE: +44 (0) 1189 701 701 e-mail: info@patol.co.uk</p>	<p>CLIENT DWG NO.</p>	<p>TYPE 5410 INFRA RED DETECTOR GENERAL ARRANGEMENT</p>
				<p>CAD REF 5410-1 40.dwg</p>	<p>DWG NO 5410-1 40 01 GA</p>	<p>ISS A</p>	<p>A1</p>	



<p>TOLERANCES UNLESS STATED 1.0 ±0.5 1.0 ±0.2 1.00 ±0.1 ANGLES ±1°</p> <p>ALL DIMENSIONS IN mm DO NOT SCALE THE DRAWING</p> <p>SCALE 1:1</p>	<p>MATERIAL</p>	<p>FINISH</p>	<p>RELATED DOCUMENTS</p> <p>THIS DWG REPLACES 11054-02.wpg</p>	<p>DATE 30/03/17</p> <p>ISSUED FOR APPROVAL 17/03/14</p>	<p>DRAWN SCN</p> <p>DATE 17/03/14</p>	<p>PROJECT INFRA RED TRANSIT HEAT SENSOR</p> <p>CLIENT</p>	<p>PATOL JOB REF 5410</p> <p>CLIENT CONTRACT REF.</p>
				<p>DATE 31/03/17</p> <p>APPROVED ML</p> <p>DATE 31/03/17</p>	<p>CHECKED ML</p> <p>DATE 31/03/17</p>	<p>PATOL LTD ARCHWAY HOUSE, BATH ROAD, PADWORTH, READING, BERKSHIRE. UK. RG7 5HR TELEPHONE: +44 (0) 1189 701 701 e-mail: info@patol.co.uk</p>	<p>CLIENT DWG NO.</p> <p>TYPE 5410 INFRA RED DETECTOR INTERNAL ARRANGEMENT</p>
<p>THIS DRAWING AND THE INFORMATION HEREON IS THE SOLE PROPERTY OF PATOL LTD AND MAY BE THE SUBJECT OF PATENT APPLICATIONS</p>				<p>CAD REF 5410-1 40.dwg</p>	<p>DWG NO 5410-1 40 02 GA</p>	<p>ISS A</p>	<p>A2</p>