

## 5051 Blower Specification

**Type:** 5051 Blower, Single Phase AC Motor with Capacitor

**Supply:** 230Vac, 50/60Hz, 240/280W, 1.05/1.23A, 2100

**Weight:** 5.1kg

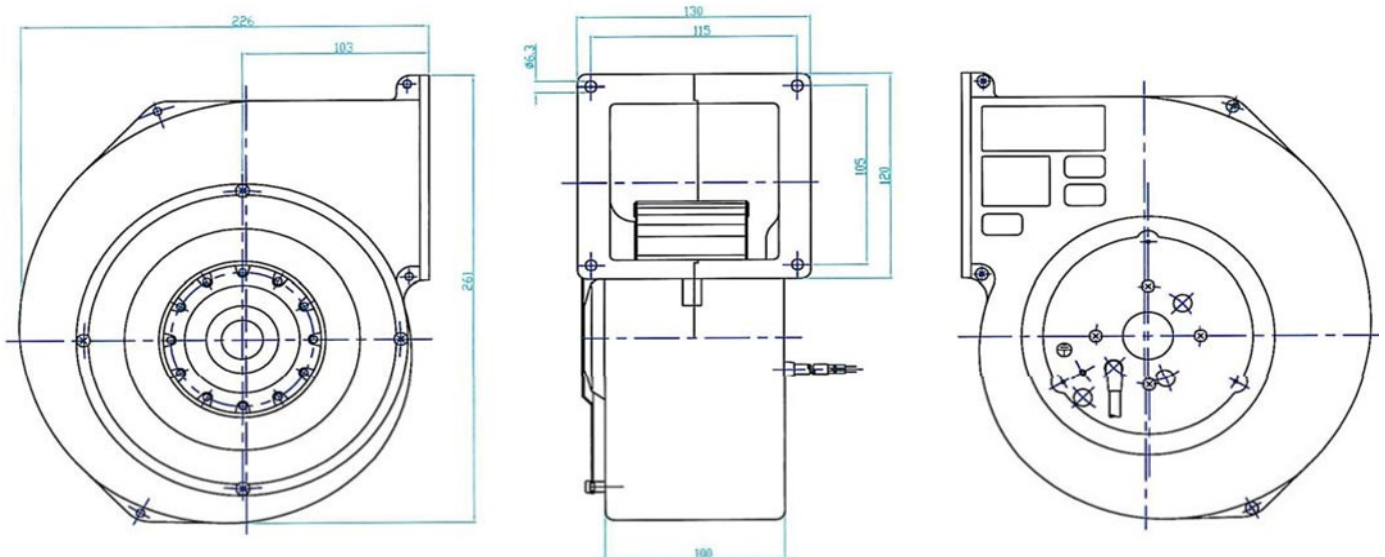
**Inlet/Outlet Pipes:** Ø 45mm



Side View (Air Feed Input)

Top View, Showing Capacitor

Front View (Air Output)



Where a suitable “on site” air supply is not readily available, Patol 5000 Series air purge units may be employed.

If used in high dust environments (such as within coal conveyor housings) the air inlet should be piped / ducted to a relatively clean / filtered air area.

### Contact Details:

Patol Limited  
Rectory Road  
Padworth Common  
Reading  
RG7 4JD  
Tel: +44 (0)1189 701 701  
Fax: +44 (0)1189 701 700  
Email: [info@patol.co.uk](mailto:info@patol.co.uk)  
Web: [www.Patol.co.uk](http://www.Patol.co.uk)