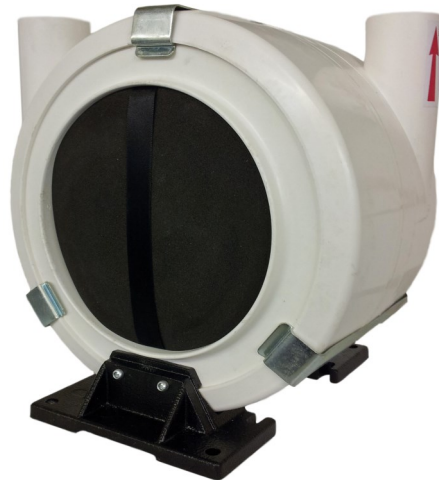


5040/5041 Blower Single Phase AC Motor with Capacitor



Model 5040 Part Number 710-040

Material;

Fan Case:- White Polyester Resin

Impellers:- Aluminium 1200 H14

Supply: 230V 50/60Hz

240/280W

0.4A 2800RPM

Capacitor: 4µF 400VDB

Weight: 8.5Kg

IP Rating IP44

Input/Outlet pipes Ø45mm

Model 5041 Part Number 710-041

Material;

Fan Case:- White Polyester Resin

Impellers:- Aluminium 1200 H14

Supply: 115V 50/60Hz

240/280W

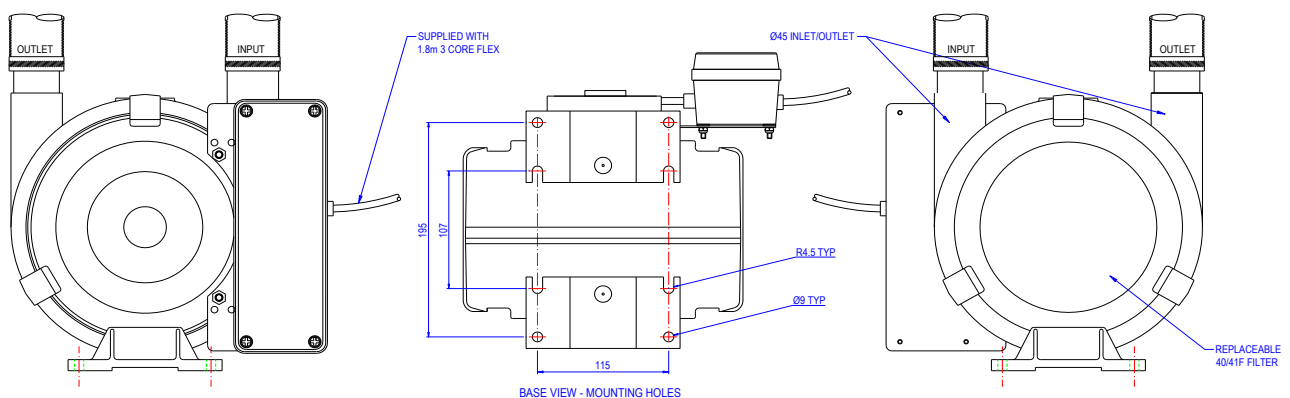
0.86A 2850RPM

Capacitor: 10µF 400VDB

Weight: 8.5Kg

IP Rating IP44

Input/Outlet pipes Ø45mm



Overall Dimensions: WxHxD mm 280x240x320

Compatible with Infra-red Transit Heat Sensor, Model: 5010 and Model: 5410

Where a suitable "on site" air supply is not available Patol 5000 series air purge units may be employed.

If used in high dust environments (such as within coal conveyor housings) the air inlet should be piped/ducted to a relatively clean/filtered air area. Refer to document D1145

Replacement Filter Part Number:-40/41F

A weather proof enclosure is available. Refer to Part Number 710-056

Contact Details:

Patol Limited
 Archway House
 Bath Road
 Padworth
 Reading
 RG7 5HR
 Tel: +44 (0)1189 701 701
 Fax: +44 (0)1189 701 700
 Email: info@patol.co.uk
 Web: www.Patol.co.uk