

LDM-519-ACT-N

Interface for Resettable Analogue LHDC with Actuation



The LDM-519-ACT-N module is designed to monitor a zonal length of Resettable Analogue Linear Heat Detection Cable (LHDC) for both an elevated temperature (Fire) condition, and Fault Status (Open & Short Circuit).

The module offers two adjustable levels of alarm (A1 & A2), one of which may be optionally employed as a "Pre Alarm".

The LDM-519-ACT-N is provided with an output for the initiation of extinguishing media. This Actuation Output is primarily intended for the use with electrically operated chemical protractors (Metrons).

The LDM-519-ACT-N has fault monitoring circuitry appropriate to the series firing of these devices using an "All Fire" actuation loop configuration.

Resettable Analogue LHDC is of coaxial construction and is used in conjunction with an end of line (EOL) functional unit.

The module provides early warning of hot spots and fire conditions on short sections of the overall LHDC zone length. Maximum LHDC zone length for Resettable Analogue LHDC is 500m.

The modular form of the unit enables it to be provided in a variety of bespoke housings and readily integrated into special control panels.

Features

- Two level Alarm set points
- Adjustable Alarm set points & Actuation loop monitoring.
- Extinguishant actuation output.
- LED Indication of Fire, Fault and Supply status
- Separate LHDC Monitoring & Actuation Supplies - Electrically isolated.
- Wide dc supply operation (positive earthed)
- Monitoring 20Vdc to 60Vdc
- Actuation 20Vdc to 130Vdc
- Fault Monitoring for open and short circuits
- Selectable Latching / Auto reset operation
- VFC relay outputs for Fire and Fault conditions

Applications

- Cable Tunnels, Ducts & Mezzanines
- Escalators & Moving Walkways
- Petro-Chemical Floating and Fixed Roof Tanks.
- Refrigerated Stores & Cold Rooms
- Ceiling Voids & Attic Spaces
- Conveyor, Bearing Protection
- Car Parks, Open Storage Areas
- Warehousing, Racking Protection

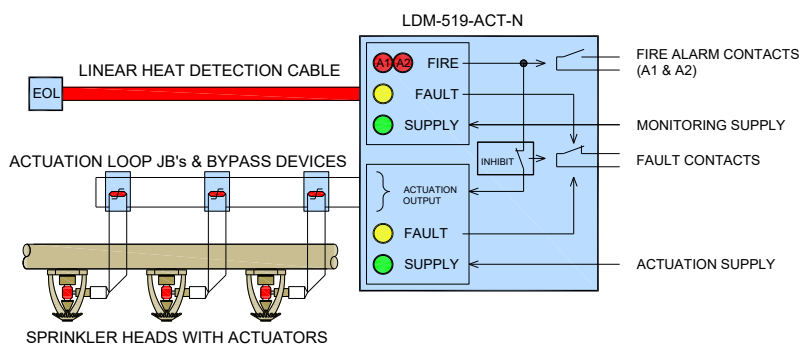
LDM-519-ACT-N

Interface for Resettable Analogue LHDC with Actuation

The alarm relay outputs can be operated in two modes.

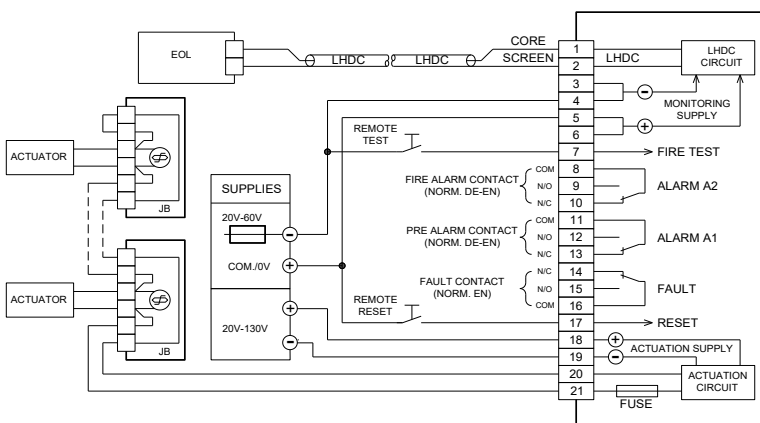
Mode 1; where a single alarm level operates both relay outputs. This is achieved by adjusting the A2 set-point to less than that for A1. Thus both A1 & A2 trip simultaneously - **At the A1 set point.**

Mode 2; with pre-alarm; where a two stage alarm operates. This may be achieved by using A1 for Pre-Alarm and A2 for Alarm.



Connections

LDM-519-ACT-N terminals showing typical external connections.



Specifications

Dimensions (WDH)	220mm x 120mm x 76mm
Weight:	0.85kg
IP Rating:	IP66
Material:	Polycarbonate
Supply Voltage:	Monitoring 20Vdc to 60Vdc Actuation 20Vdc to 130Vdc
Supply Current:	Quiescent <18mA Max (Alarm) <60mA
Relay Contacts:	1A @ 24Vdc/120Vac
	Fire Alarm A2 1x1 pole change over
	Fire Alarm A1 1x1 pole change over
	Fault 1x1 pole change over

Ordering Information

Description	Part Number
LDM-519-ACT-N	700-304

Used with the following Analogue cables:

Red FRPE	700-001LS0H
Red FRPE S.S*	700-005LS0H

* Stainless Steel Braid