

# LDM-519-SEN-N

## Interface for Resettable Analogue LHDC



### Features

- Two level Alarm set points
- Adjustable Alarm set point
- LED Indication of Fire, Fault and Supply Status
- Wide dc supply operation 20Vdc to 60Vdc (positive earthed)
- Fault Monitoring for open & short circuits
- Selectable Latching / Auto reset operation
- VFC relay outputs for Fire & Fault conditions

The LDM-519-SEN-N module is designed to monitor a zonal length of Resettable Analogue Linear Heat Detection Cable (LHDC) for both an elevated temperature (Fire) condition, and Fault Status (Open & Short Circuit).

The module offers two adjustable levels of alarm (A1 & A2), one of which may be optionally employed as a "Pre Alarm".

The LDM-519-SEN-N provides early warning of hot spots and fire conditions on short sections of the overall LHDC zone length. Maximum LHDC zone length for Resettable Analogue cable is 500m.

Resettable Analogue LHDC is of coaxial construction and is used in conjunction with an End Of Line (EOL) functional unit.

The module provides early warning of hot spots and fire conditions on short sections of the overall LHDC zone length. Maximum LHDC zone length for Resettable Analogue LHDC is 500m.

The modular form of the unit enables it to be provided in a variety of bespoke housings and readily integrated into special control panels.

### Applications

- Cable Tunnels, Ducts & Mezzanines
- Escalators & Moving Walkways
- Petro-Chemical Floating and Fixed Roof Tanks.
- Refrigerated Stores & Cold Rooms
- Ceiling Voids & Attic Spaces
- Conveyor, Bearing Protection
- Car Parks, Open Storage Areas
- Warehousing, Racking Protection

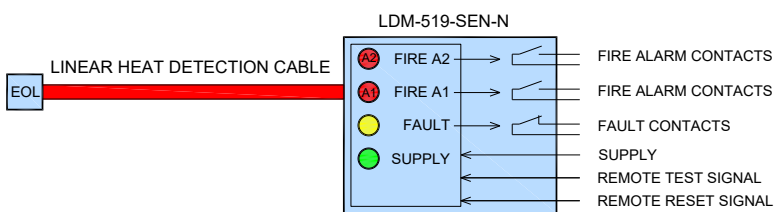
# LDM-519-SEN-N

## Interface for Resettable Analogue LHDC

The alarm relay outputs can be operated in two modes.

**Mode 1;** where a single alarm level operates both relay outputs. This is achieved by adjusting the A2 set-point to less than that for A1. Thus both A1 & A2 trip simultaneously - **At the A1 set point.**

**Mode 2** with pre alarm; where a two stage alarm operates. This may be achieved by using A1 for Pre-Alarm and A2 for Alarm.

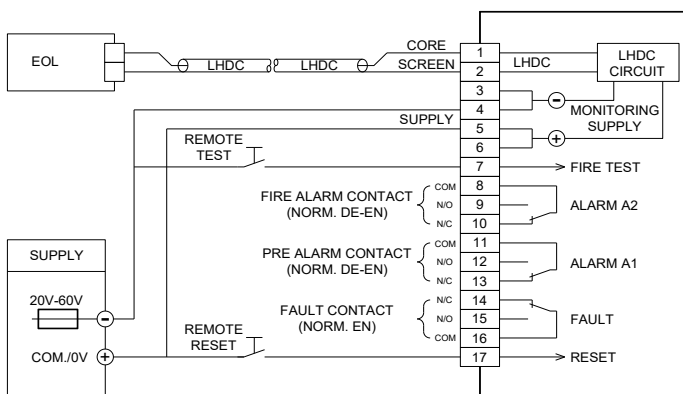


### Specifications

<b>Dimension: (WDH)</b>	220mm x 120mm x 76mm
<b>Weight:</b>	0.85kg
<b>IP Rating:</b>	IP66
<b>Material:</b>	Polycarbonate
<b>Supply Voltage:</b>	20Vdc to 60Vdc
<b>Supply Current:</b>	Quiescent <18mA
	Max (Alarm) <60mA
<b>Relay Contacts:</b>	1A @ 24Vdc/120Vac
	Fire Alarm A2 1x1 pole change over
	Fire Alarm A1 1x1 pole change over
	Fault 1x1 pole change over

### Connections

LDM-519-SEN-N terminals showing typical external connections.



### Ordering Information

Description	Part Number
LDM-519-SEN-N	700-305

Used with the following Analogue cables:

Red FRPE	700-001LS0H
Red FRPE S.S*	700-005LS0H

\* Stainless Steel Braid