

Non-Resettable Digital LHDC Data Sheet

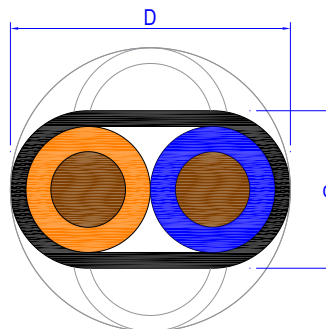
Patol Part No. 700-070 / 700-071

	Make	:	Patol, U.K.
2.0	Type	:	Non-Resettable Digital Heat Sensing Cable
3.0	Voltage Rating	:	150Vdc (Dielectric Test 500Vdc)
4.0	Temperature		
4.1	Maximum Ambient Temperature	:	45 Degrees Centigrade
4.2	Minimum Alarm Temperature	:	60 Degrees Centigrade
4.3	Maximum Alarm Temperature	:	70 Degrees Centigrade
5.0	Number of Cores	:	2 (Two)
6.0	Maximum Conductor Resistance per km at 20°C	:	100 ohms per km
7.0	Material		
7.1	Conductor	:	Tinned copper coated steel
7.2	Insulation	:	Thermoplastic (Blue and Orange)
7.3	Outer Sheath	:	Nylon (Black)
7.4	Outer Braid	:	S.S. AISI 304 grade - (Part No. 700-071 Only)
8.0	Conductor Diameter	:	0.9mm
9.0	Insulation Material Thickness	:	0.35mm
10.0	Minimum Bend Radius	:	50mm
11.0	Approval	:	UL Listed, File No. S24081
12.0	Approximate Detection Time (Small flame)	:	Approximately 5 seconds
13.0	Life Expectancy / Service Life	:	20 years plus

Twisted pair dimensions:

D = 4.0mm ±0.3

d = 3.0mm ±0.3



Contact Details:

Patol Limited
 Archway House
 Bath Road
 Padworth, Reading,
 Berkshire
 RG7 5HR
 Tel: +44 (0)1189 701 701
 Fax: +44 (0)1189 701 700
 Email: info@patol.co.uk
 Web: www.Patol.co.uk