

LDM-519-DIM

Non-Resettable Digital Interface Monitor



The LDM-519-DIM module is designed to monitor a length of Non-Resettable Digital Linear Heat Detection Cable (LHDC) for both a fire condition, and fault status (open circuit). The LDM-519-DIM is SIL 2 certified.

Non-Resettable Digital LHDC may be employed in lengths up to 5km when using the LDM-519-DIM module. Signalling of fire and fault status is generated by means of volt free contacts.

The LDM-519-DIM has been specifically designed in a DIN rail format to allow it to be used in a variety of discrete housings or integrated multi zone control panels.

Patol offer a complete range of special build panels which can incorporate this module for projects that require unique and tailored solutions.

For further information on Non-Resettable Digital LHDC's performance and specification see SIS D1179.

Features

SIL 2 certified

LHDC Hazardous Area use by means of an Intrinsic Safety Zener Barrier/Galvanic Isolators

Fault monitoring of LHDC for open circuit conditions

LED Indication of Fire, Fault & Supply status

Integral Test & Reset push-buttons.

Volt free contact outputs for Fire and Fault conditions

Indicator and control switch connections for local fascia implementation DIN rail Mounting

Applications

Cables, Tunnels, Ducts and Mezzanines

Escalators and Moving Walkways

Petro-Chemical Floating and Fixed Roof Tanks

Refrigerated Stores and Cold Rooms

Ceiling Voids and Attic Spaces

Conveyor and Bearing Protection

Car Parks and Open Storage Areas

Warehouse and Racking Protection

LDM-519-DIM

Non-Resettable Digital Interface Monitor

Figure 1 shows a typical system where the Non-Resettable Digital Interface Monitor (LHDC) is connected via a junction box and interposing cable.

The repeat contacts may be employed to signal an alarm panel and / or initiate control systems.

Figure 1

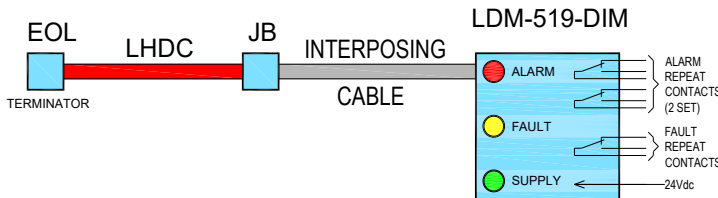
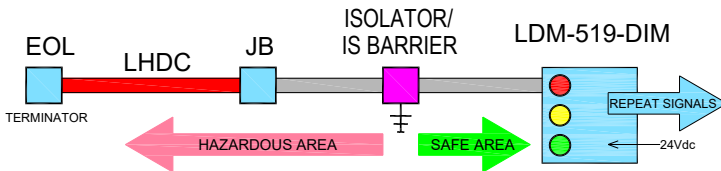


Figure 2 shows an arrangement for a 'Hazardous Area' employing an Intrinsically Safe Zener barrier / Galvanic Isolator.

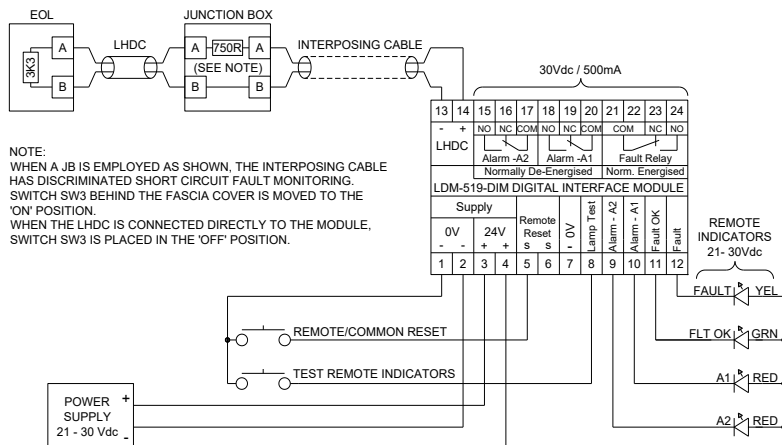
Figure 2



Special Note: In order to provide short circuit fault discrimination of interposing cables a series resistor equal to 750Ω should be incorporated at the start of the LHDC in the interposing junction box. LDM-519-DIM jumper J1 should be inserted.

Note: Not available when using IS Galvanic Isolators

Connections - Typical



Specification

Dimensions (WHD):	90mm x 71mm x 58mm
Supply Voltage:	18-30Vdc
Supply Current:	<25mA - Normal/Fault <56mA - Alarm/Fire
LHDC Terminator:	3K3 End Of Line resistor
Indicators:	Alarm: Red - 2 off Fault: Yellow - 1 off Supply: Green - 1 off
Push-buttons:	Alarm Test Fault Test/Reset
Relay Contacts:	Alarm - changeover - 2 sets Fault - changeover - 1 set
Lamp Outputs: (O/C type)	Alarm - switch to 0V -100mA Fault - switch to 0V -100mA
Remote Inputs:	Reset Lamp Test

Ordering Information

Description	Part Number
LDM-519-DIM	700-441

Used with the following Digital Cables:

FRPE 70°C	700-070LS0H
FRPE S.S* 70°C	700-071LS0H
FRPE 90°C	700-090LS0H
FRPE S.S* 90°C	700-091LS0H
Nylon 70°C	700-070
Nylon S.S* 70°C	700-071
Nylon 90°C	700-090
Nylon S.S* 90°C	700-091
Nylon 180°C	700-180
Nylon S.S* 180°C	700-181

*Stainless Steel Braid