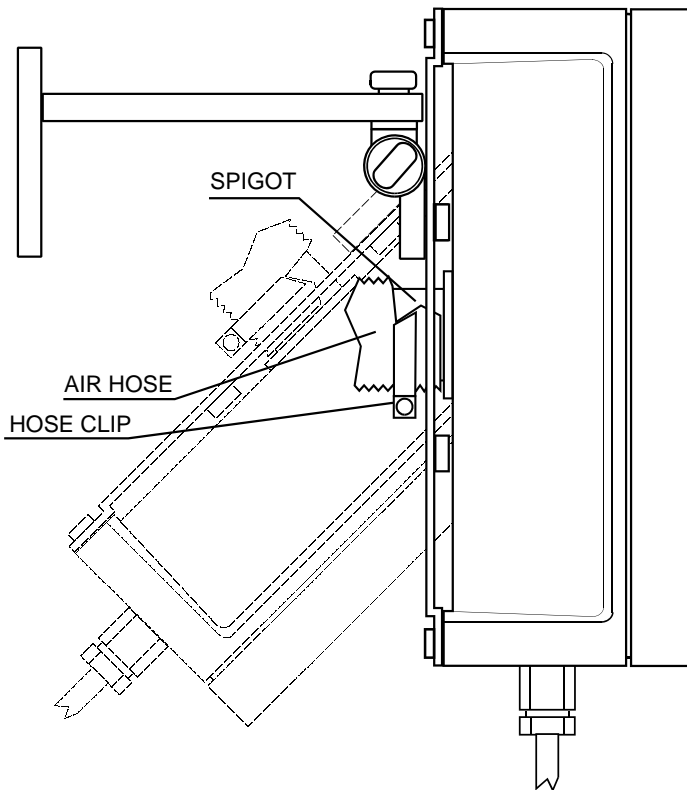
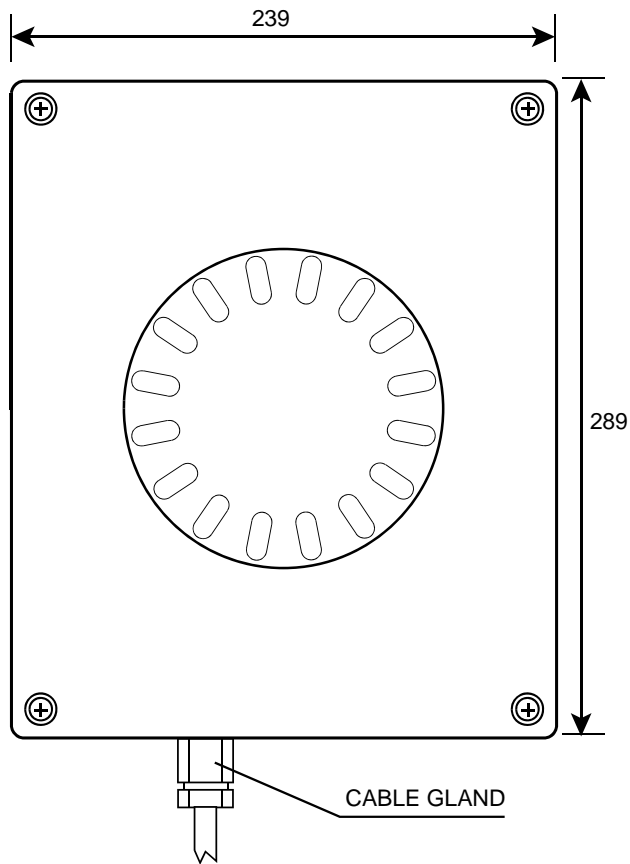


SIDE VIEW

SHOWING DOWNWARD ADJUSTMENT BRACKET POSITION

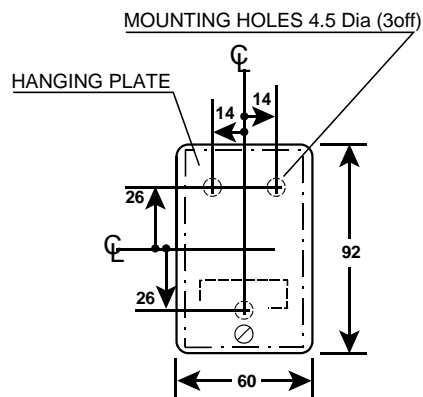
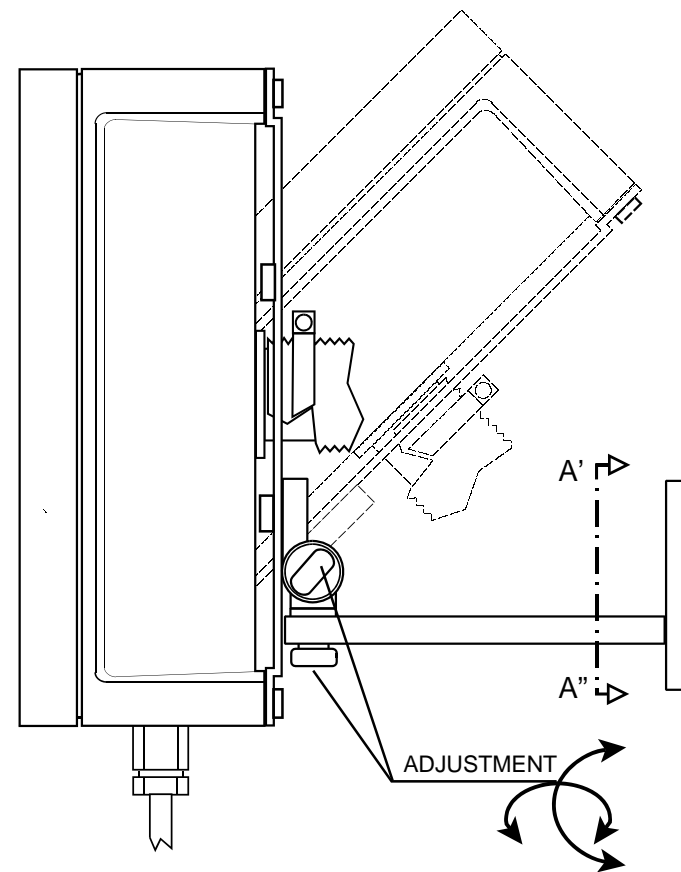


FRONT VIEW

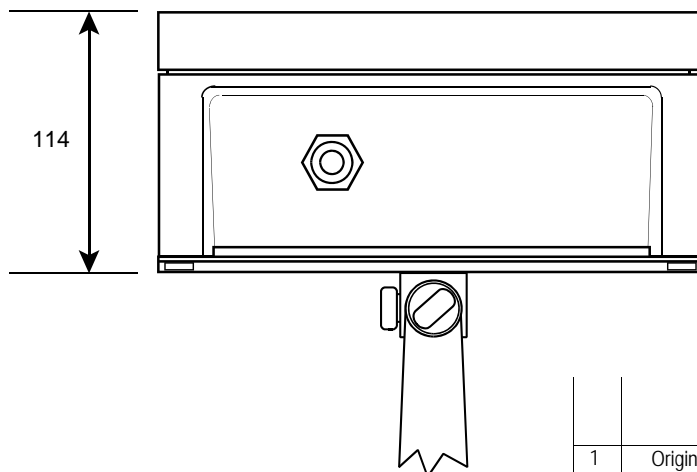


SIDE VIEW

SHOWING UPWARD ADJUSTMENT BRACKET POSITION



BRACKET MOUNTING  
VIEW ON A'-A''



1	Original	06/06/09
Iss.	Change	Date

<b>Patol Limited</b>		
Rectory Road, Padworth, Berkshire. Tel: 0118 9701701		
Title:- <b>Type 7011 Flame Detector With Air Purging General Arrangement</b>		
Cad Ref: 10176_01.wpg	Drawing Ref. <b>11076</b>	Iss. 1