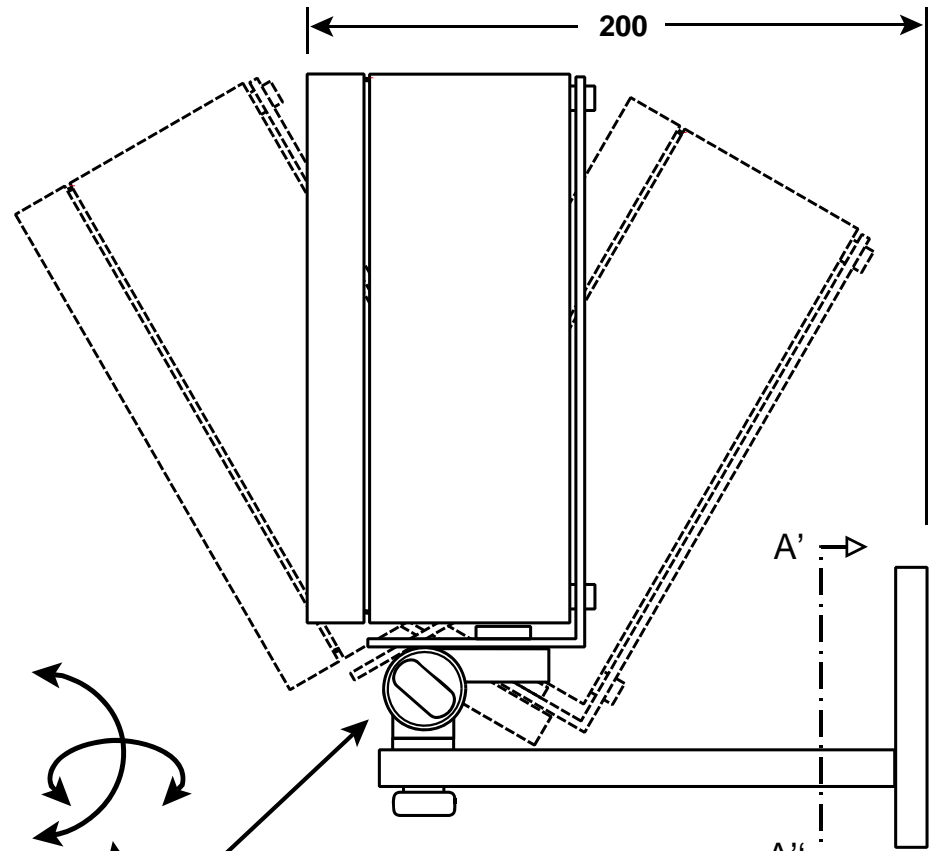
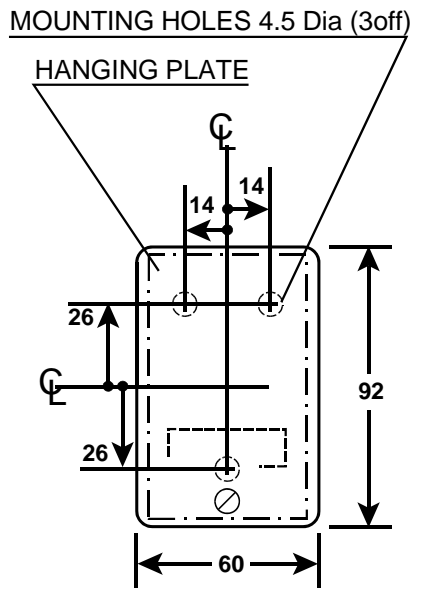


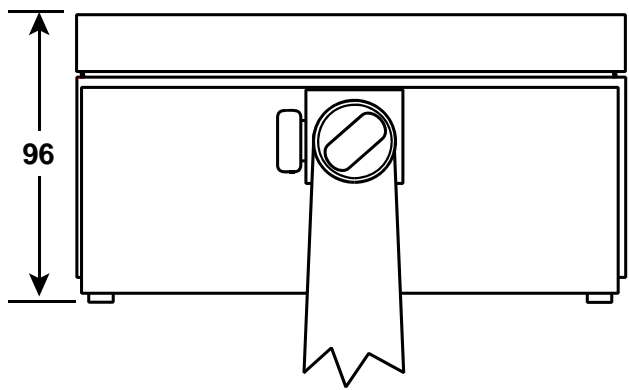
FRONT VIEW



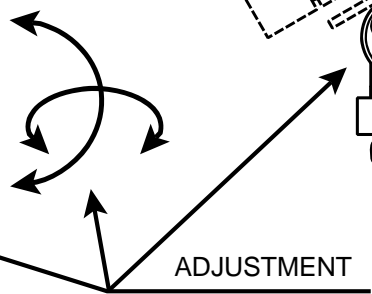
SIDE VIEW



BRACKET MOUNTING VIEW ON A'-A''



BOTTOM VIEW



ADJUSTMENT

<b>Patol Limited</b>		
Rectory Road, Padworth, Berkshire. Tel: 0118 9701701		
Title:- <b>Type 7010 Infra-red Detector</b>		
<b>General Arrangement</b>		
Cad Ref: 11074_01.wpg	Drawing Ref. <b>11074</b>	Iss. 1

	Original	20/04/09
1	Change	Date