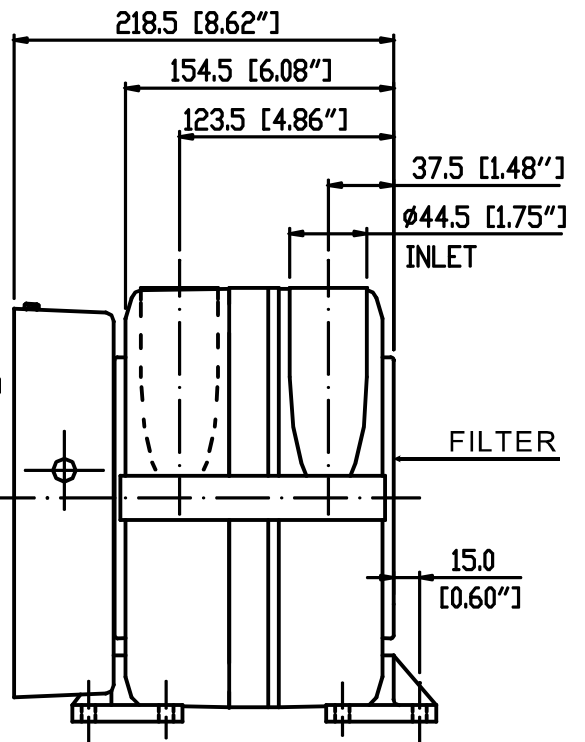
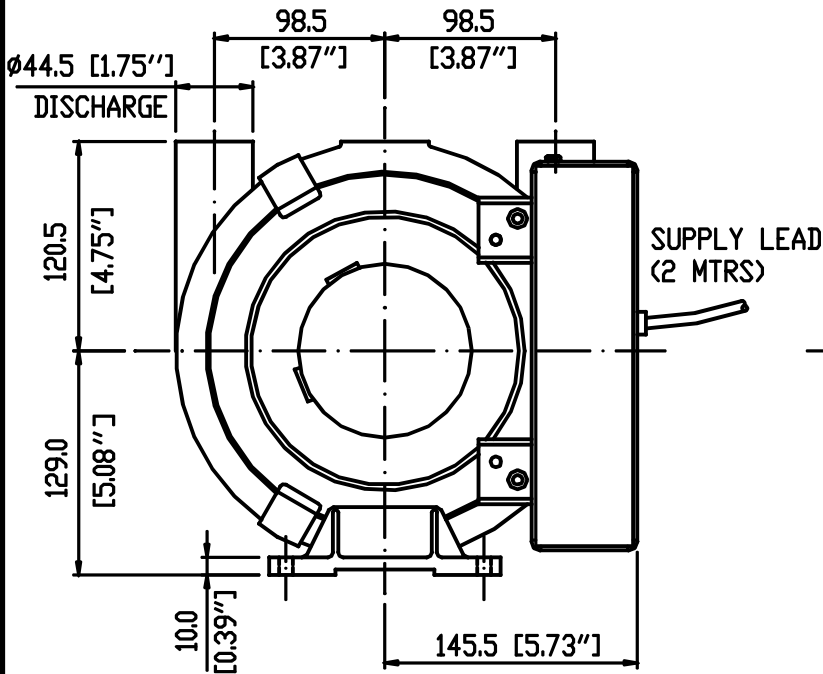
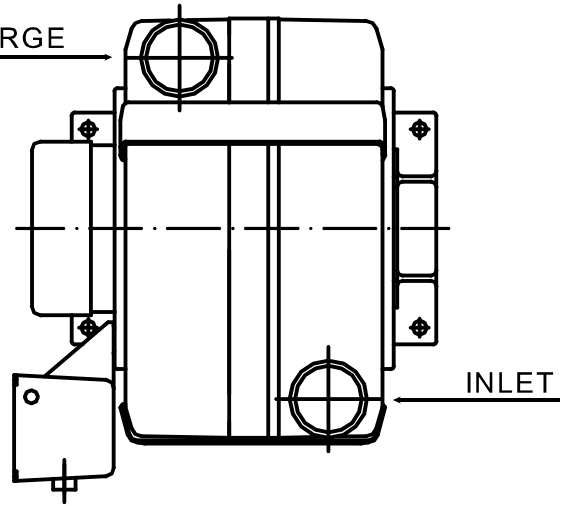
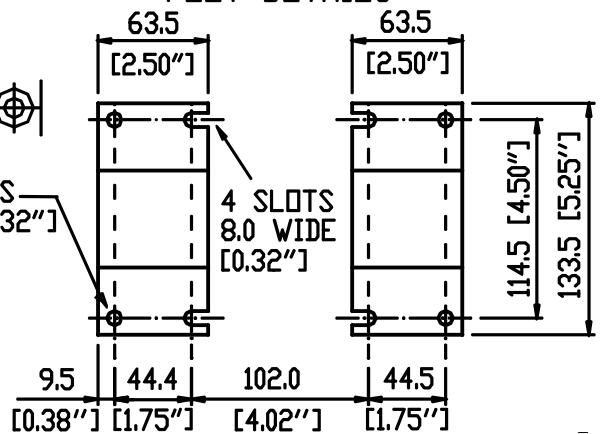


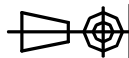
OUTLET / DISCHARGE



FEET DETAILS



3rd ANGLE PROJECTION



CAD Ref: 11046_01.wpg

1	Original	15/06/05
Iss.	Change	Date

Patol Limited

**Series 5000 Blower Unit - Type 5040
General Arrangement Drawing**

Rev:- 1

Date:- 15/06/05

Drawing Ref.

11046