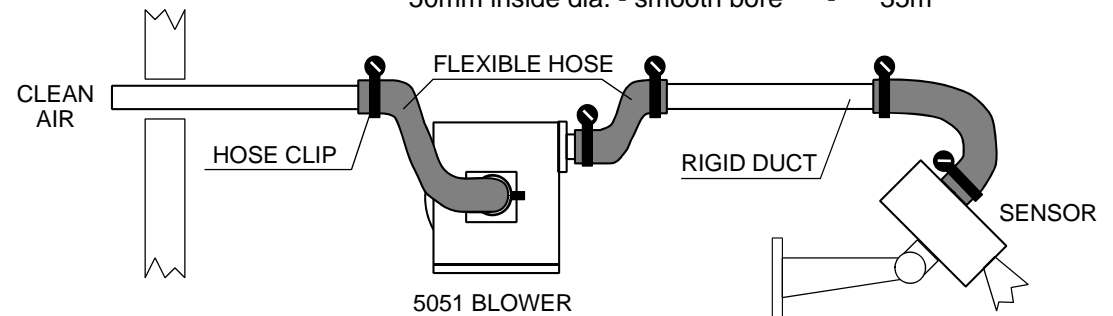
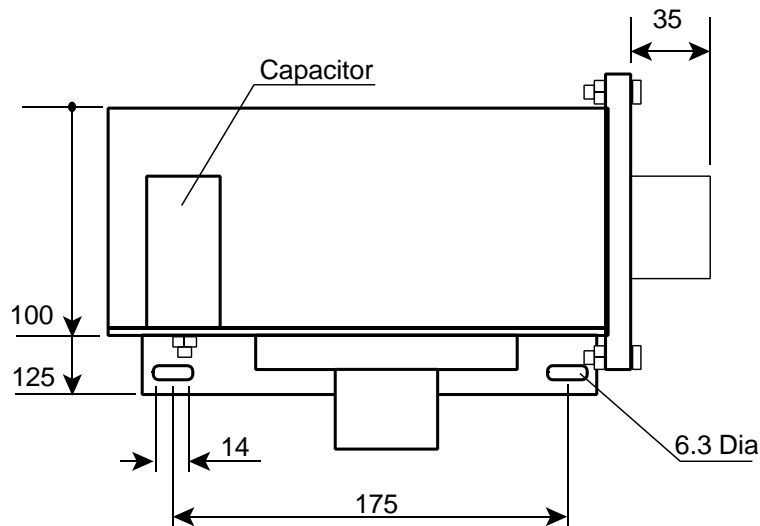


DUCTING

2m of 45mm dia flexible hose is provided for connections at blower and sensor.
The maximum amount of rigid duct that may be employed is :-

- 40mm inside dia. - smooth bore - 10m
- 50mm inside dia. - smooth bore - 35m



Patol Limited		
Rectory Road, Padworth, Berkshire. RG7 4JD - UK		
Tel: +44(0)118 9701701 Web: patol.co.uk		
Title:- Type 5051 Air Purge Blower GA & Connections		
Cad Ref: 11056_01.wpg	Drawing Ref. 11056	ISS. 1

1	Original	08/08/08
Iss.	Change	Date