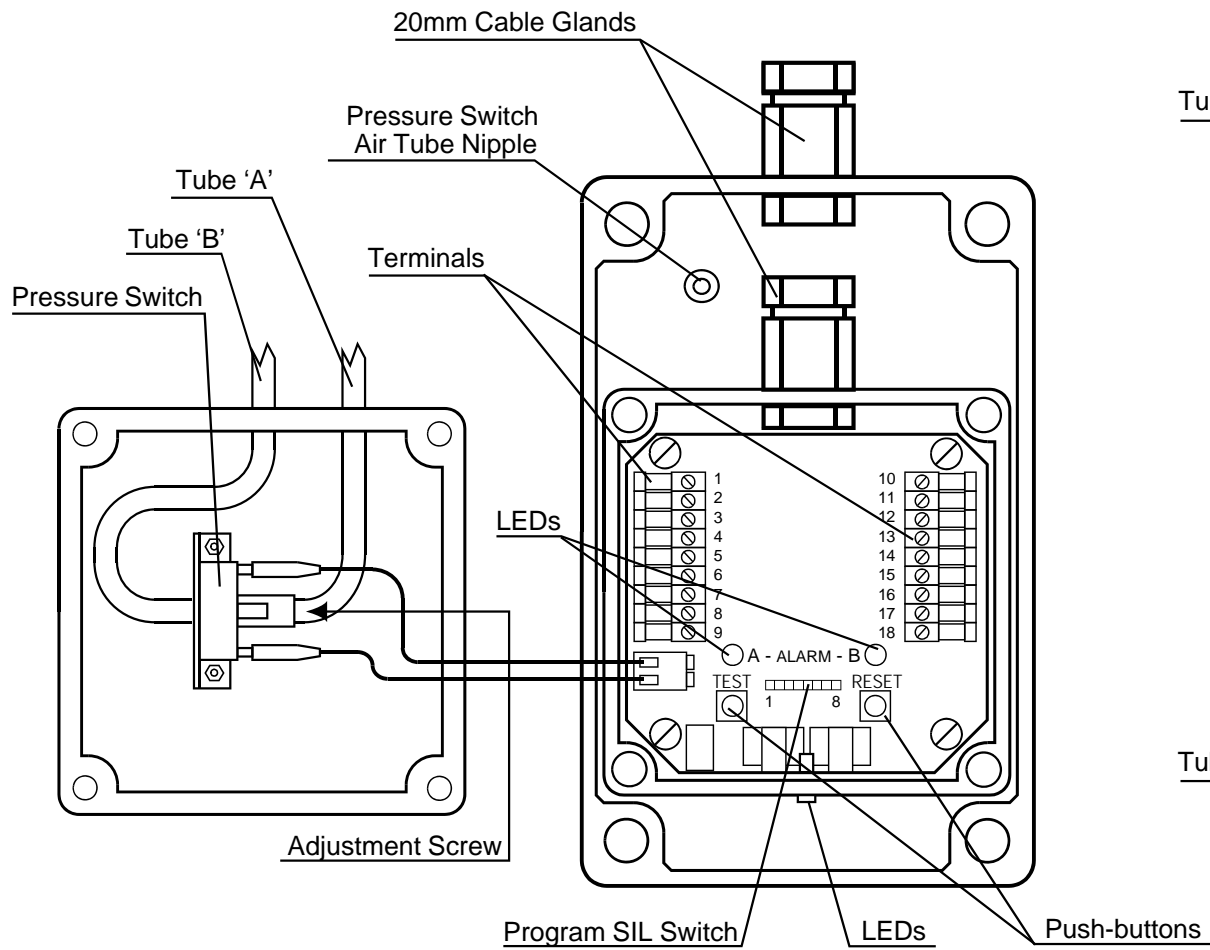


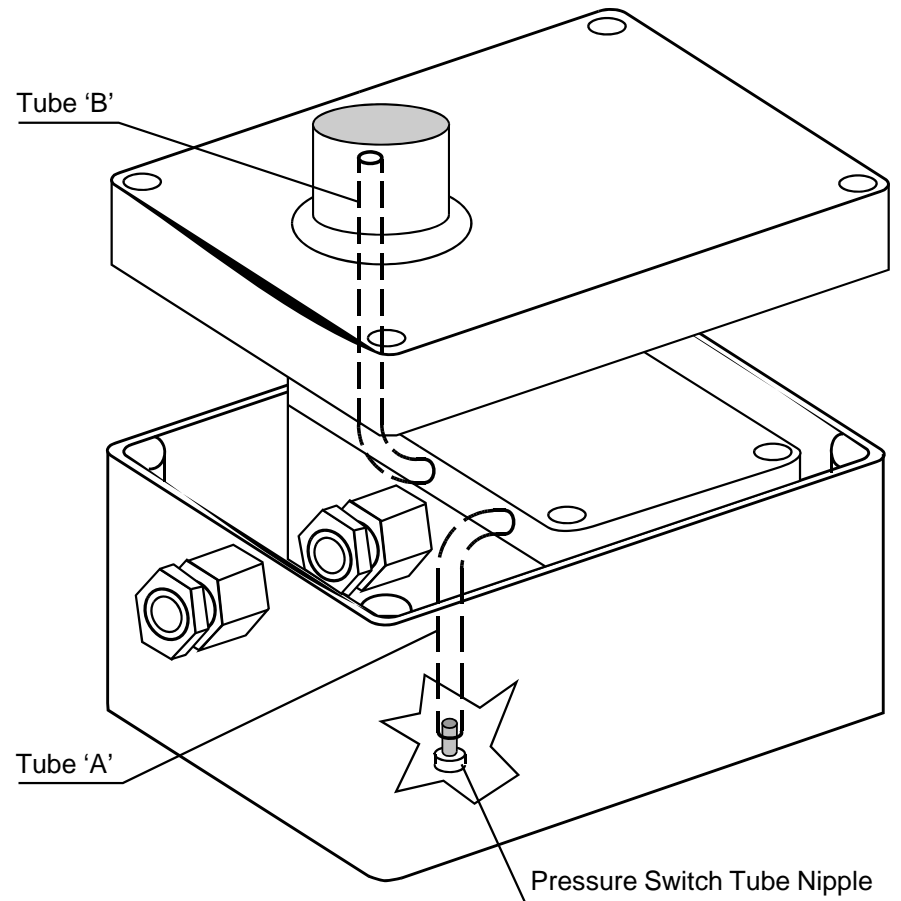
|  |                              |           |
|--|------------------------------|-----------|
| <b>Patol Limited</b>                                 |                              |           |
| Rectory Road, Padworth, Berkshire. Tel: 0118 9701701 |                              |           |
| Title:- <b>Type 5410 Infra-red Detector</b>          |                              |           |
| <b>General Arrangement</b>                           |                              |           |
| Cad Ref:<br>11053_02.wpg                             | Drawing Ref.<br><b>11053</b> | Iss.<br>2 |

| Iss. | Change     | Date     |
|------|------------|----------|
| 2    | LEDs Added | 25/03/09 |
| 1    | Original   | 20/04/08 |



VIEW ON INSIDE OF  
INNER MODULE LID

INTERNAL VIEW WITH  
BOTH LIDS REMOVED



|      |            |          |
|------|------------|----------|
| 2    | LEDs Added | 25/03/09 |
| 1    | Original   | 03/06/08 |
| Iss. | Change     | Date     |

|  |                              |           |
|--|------------------------------|-----------|
| <b>Patol Limited</b>                                 |                              |           |
| Rectory Road, Padworth, Berkshire. Tel: 0118 9701701 |                              |           |
| Title:-  |                              |           |
| <b>Type 5410 Infra-red Detector</b>                  |                              |           |
| <b>Internal Arrangement</b>                          |                              |           |
| Cad Ref:<br>11054_02.wpg                             | Drawing Ref.<br><b>11054</b> | Iss.<br>2 |